

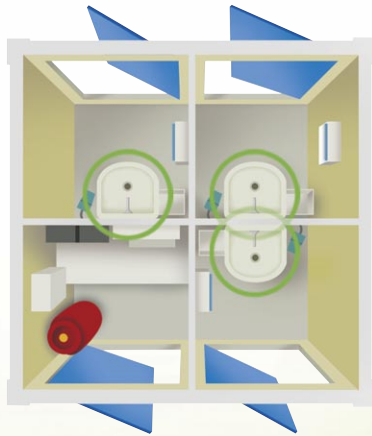
washstation range

The solution to improving hygiene levels and minimising risk on site...

Our **EcoLogic WashStation** range was created in response to the **COVID-19** pandemic, to support sites in meeting the increased need for **hand washing** and **toilet** facilities that adhere to **social distancing** measures. Each static unit is fully **self-contained**, offering instant start facilities once delivered to site.

Choose from the following: ● 3 x hand wash ● 3 x hand wash and 1 toilet ● 3 x hand wash and 2 toilets

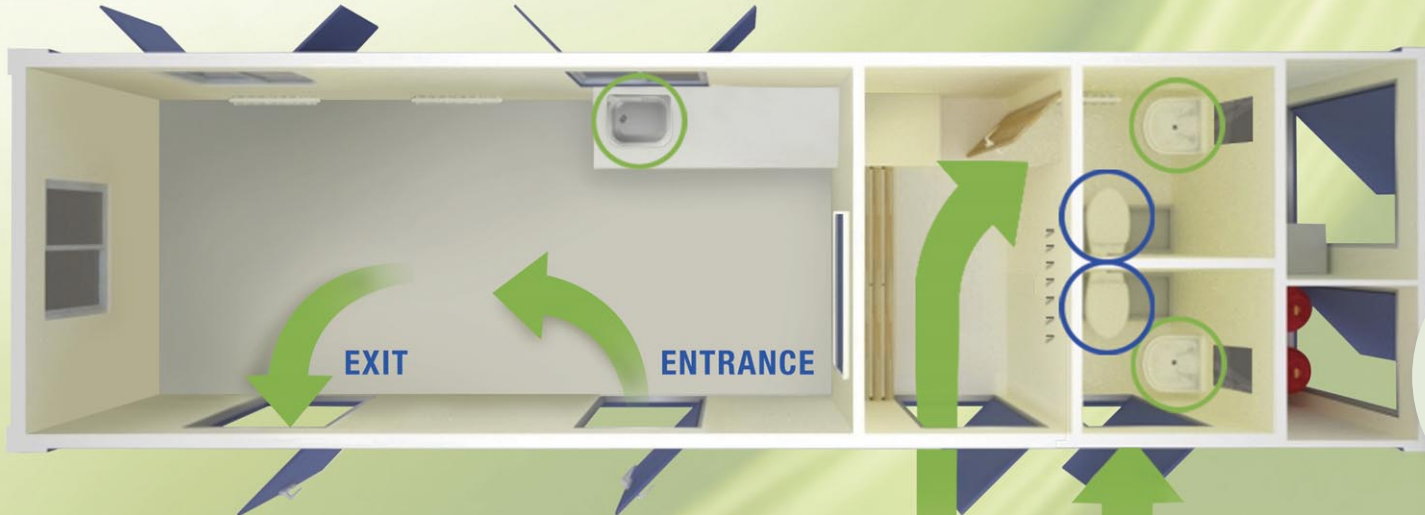
WashStation



WashStation+1



WashStation1+1



ecologic



www.advante.co.uk

Model	Sinks/Basins	Toilets	Size(ft)	Size(m)
WashStation	3	-	8 x 8'6"	2.45 x 2.6
WashStation+1	3	1	24 x 9	7.3 x 2.7
WashStation1+1	3	2	32 x 9	9.75 x 2.7

SAVE
on your site's
running costs
and Carbon
Footprint

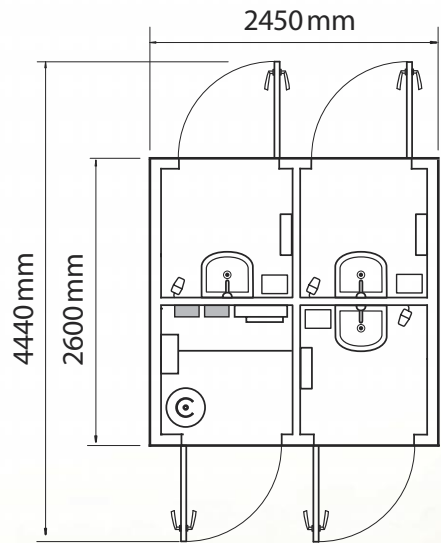
Oasis

T: 01268 280500

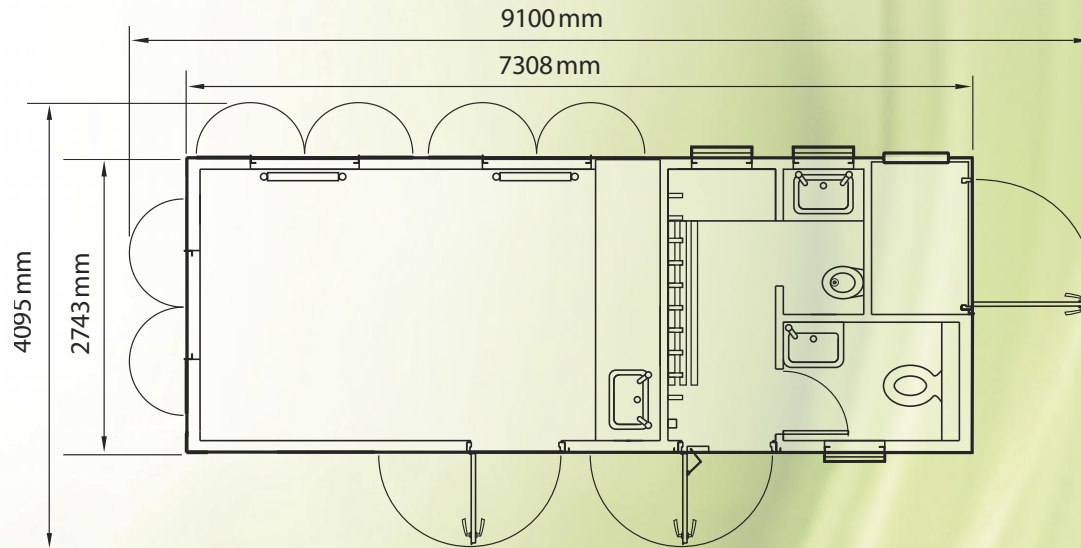
E: sales@advante.co.uk

W: advante.co.uk

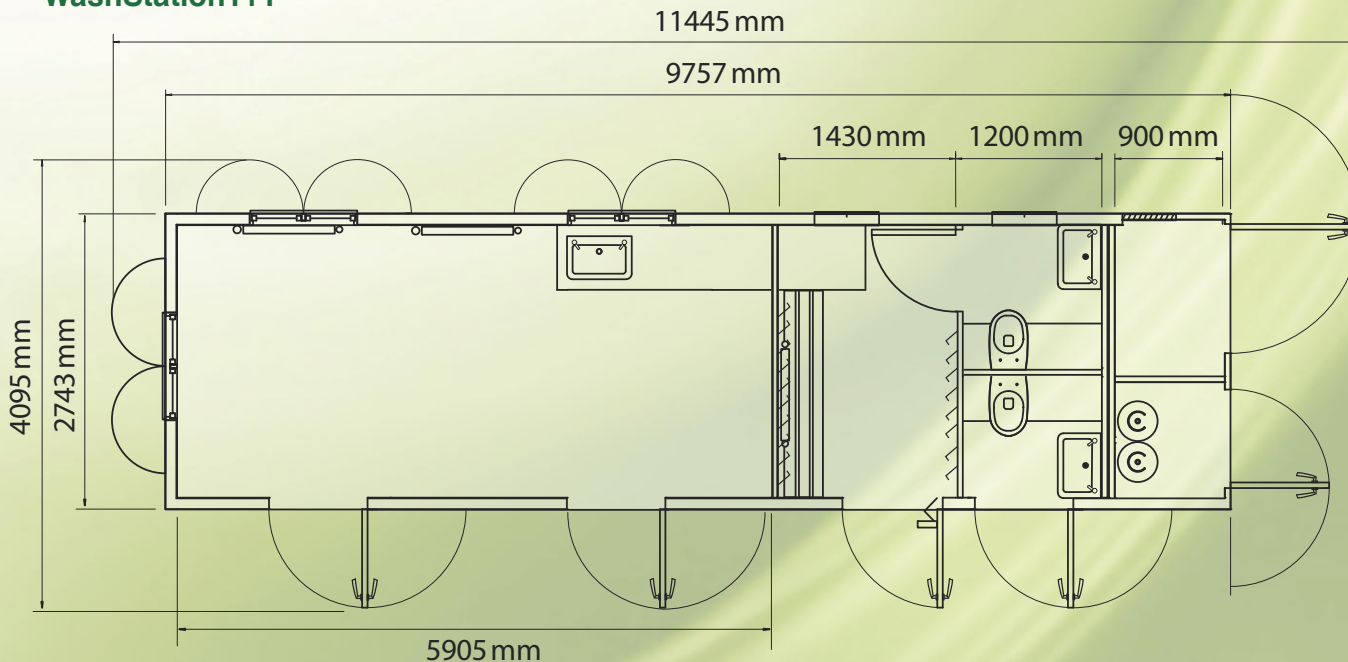
WashStation



WashStation+1



WashStation1+1



Useful points to remember

Terms of hire

- Construction Plant-Hire Association Model Conditions – No other terms will be accepted without prior written agreement from Advanté.
- Oasis EcoLogic WashStations are non-mechanical plant.

Daily checks

- The client is responsible for the required daily checks on the generator, including engine oil as per manufacturer's recommendations. This is normal practice with any mechanical plant.
- Any damage arising from failure to carry out the checks will be charged.

Damage

- Damage and shortages will be charged to the client.

Levelling

- The unit will be levelled upon delivery, and the client is responsible for maintaining the unit in a level position at all times. Failure to do so could result in engine damage.

Water refills

- These are the client's responsibility, but can be arranged by Advanté if required. (Price on application.)

Waste

- Only normal toilet waste must be put in the toilet. Any contamination of the waste could result in additional disposal charges for the client.

Instruction Manual

- Full instructions on how to get the best from your unit and its operation can be found in the unit.

Advanté

T: 01268 280500

E: sales@advante.co.uk

W: advante.co.uk