

Introducing the...

ecologic700



Specification sheet

Large Office/
Meeting Room

Kitchen Facilities

Drying Room

Toilet & Urinal

SAVE

on your site's
running costs
and Carbon
Footprint

The EcoLogic 700 will provide your site with a large office or meeting room, kitchen facilities, drying room and toilet, in one 24ft instant start welfare unit.

Powered by hybrid LPG
generator and solar.



Oasis



Why choose our EcoLogic 700?

If you require Instant Start Welfare with more office or meeting room space, the EcoLogic 700 is our 24ft solution. We also have a 32ft version (EcoLogic 1700).

This eco-friendly unit scores high on the following environmental and operational benefits.

Environmental features

- Low CO₂ emissions = reduced carbon footprint
- Hybrid LPG power system
- Renewable energy from solar power
- Water saving 'instant shut off' taps
- Carbon Statements available for each hire

Considerate neighbours

- Limited generator running hours during the day (none overnight)
- Silent overnight heating & drying room
- Site specific generator curfews available
- Extra points for Considerate Constructors

Staff wellbeing

- Pleasant working environment
- Mainly silent-running welfare
- Easy to use with minimal user intervention
- Programmable heating system

Health & Safety

- Super silent generator = low noise during limited operation
- 24/7 drying room (silent overnight)
- Low level lifting eyes & built-in levelling legs

Cost saving

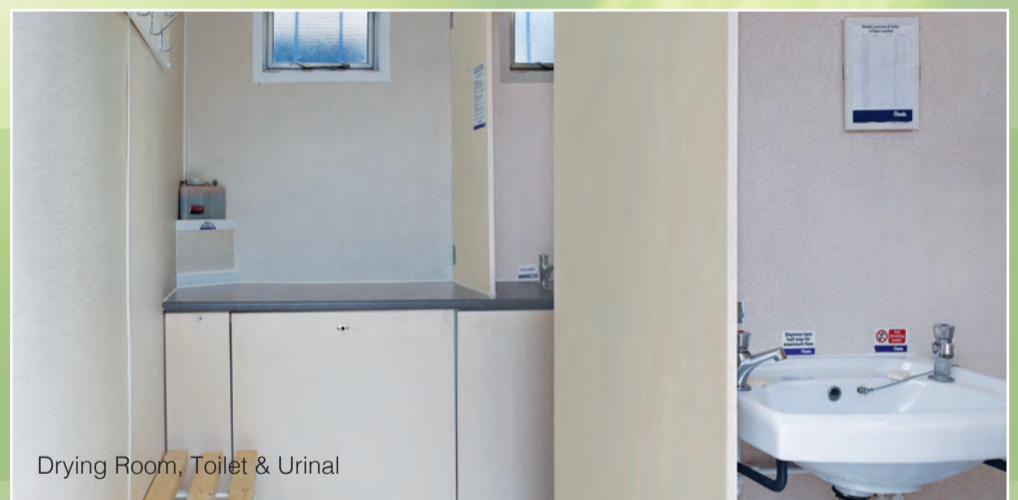
- Economical hybrid power system
- Improved energy efficiency
- Fully insulated with double glazed windows
- PIR sensor-controlled LED lighting
- Avoid implications of red diesel tax relief changes by using LPG



Office/Meeting Room



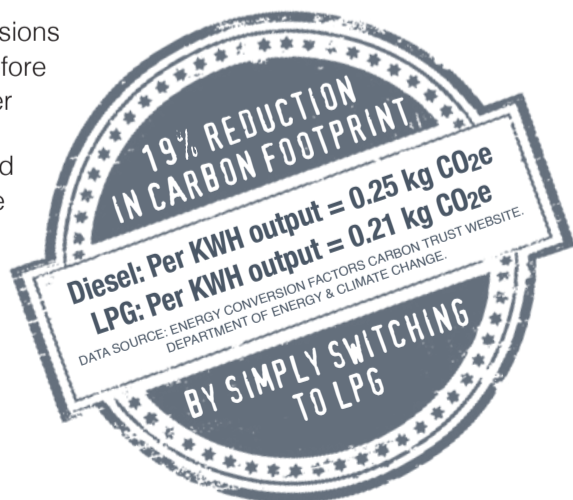
Kitchen Facilities



Drying Room, Toilet & Urinal

Reduced Carbon Footprint for LPG vs diesel

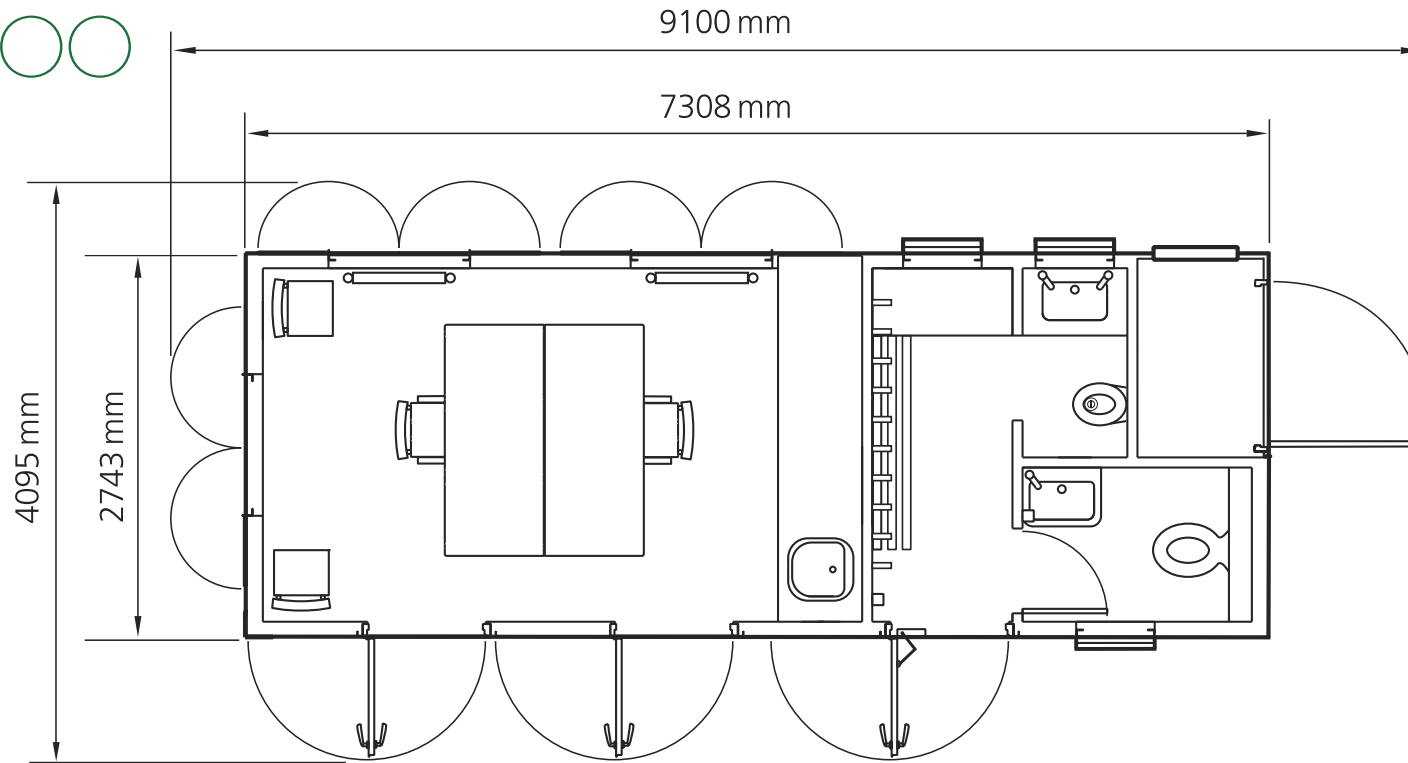
- LPG has lower carbon emissions compared with diesel, therefore the Carbon Footprint is lower
- No risk of diesel spillage and contamination of water table
- No particulates in exhaust emissions
- No risk of fines for diesel spillage
- Non-carcinogenic



Specification

Unit size.....	7.308m x 2.743m (24ft x 9ft)
Operational area	9.100m x 4.095m (30ft x 13.5ft)
Height (Levelling legs closed)	2.5m
Weight	5 Tonnes
Water capacity	400ltr main tank + 2 x 20ltr drinking water containers
LPG	Max storage 4 x 47kg cylinders
Rate of energy conversion	135grams of LPG per kW/H (average)
Generator	5.8kVA LPG fuelled (0.8 power factor)
Water heater	LPG fuelled Oasis heater
Additional equipment	Furniture, fire extinguisher, kettle, microwave oven and notice board
Toilet.....	Flushing toilet





Useful points to remember

Terms of hire

- Construction Plant-hire Association Model Conditions – No other Terms will be accepted without prior written agreement from Advanté.
- The EcoLogic 700 is non-mechanical plant.

Daily checks

- The client is responsible for the required daily checks on the generator, including engine oil as per manufacturer's recommendations. This is normal practice with any mechanical plant.
- Any damage arising from failure to carry out the checks will be charged.

Damage

- Damage and shortages will be charged to the client.

Levelling

- The unit will be levelled upon delivery, and the client is responsible for maintaining the unit in a level position at all times. Failure to do so could result in engine damage.

Permissible load on the unit

- Available power after appliances and services is 500 Watts for client use. Drawing or trying to draw more than this will damage the generator.

LPG

- The client is responsible for changing the bottles as required; space is provided for the storage of up to two additional bottles if needed.

Canteen electrical equipment

- Both the microwave and kettle within the unit will be delivered to site PAT tested.

Water refills

- These are the client's responsibility, but can be arranged by Advanté if required. (Price on application.)

Waste

- Only normal toilet waste must be put in the toilet. Any contamination of the waste could result in additional disposal charges for the client.

Instruction Manual

- Full instructions on how to get the best from your unit and its operation can be found in the unit.