

Introducing the...

ecologic 800



Specification sheet

Office

Canteen

Drying Room

Toilet & Urinal

SAVE

on your site's
running costs and Carbon
Footprint

The EcoLogic 800 will provide your site with a separate office, canteen, drying room and toilet facilities in one 24ft instant start welfare unit.

Powered by hybrid LPG generator and solar.



Oasis



Why choose our EcoLogic 800?

If you require both office and canteen space with your welfare facilities, the EcoLogic 800 is our 24ft solution. We also have a 32ft version (EcoLogic 1750).

This eco-friendly unit scores high on the following environmental and operational benefits:

Environmental features

- Low CO₂ emissions = reduced carbon footprint
- Hybrid LPG power system
- Renewable energy from solar power
- Water saving 'instant shut off' taps
- Carbon Statements available for each hire

Considerate neighbours

- Limited generator running hours during the day (none overnight)
- Silent overnight heating & drying room
- Site specific generator curfews available
- Extra points for Considerate Constructors

Staff wellbeing

- Pleasant working environment
- Mainly silent-running welfare
- Easy to use with minimal user intervention
- Programmable heating system

Health & Safety

- Super silent generator = low noise during limited operation
- 24/7 drying room (silent overnight)
- Low level lifting eyes & built-in levelling legs

Cost saving

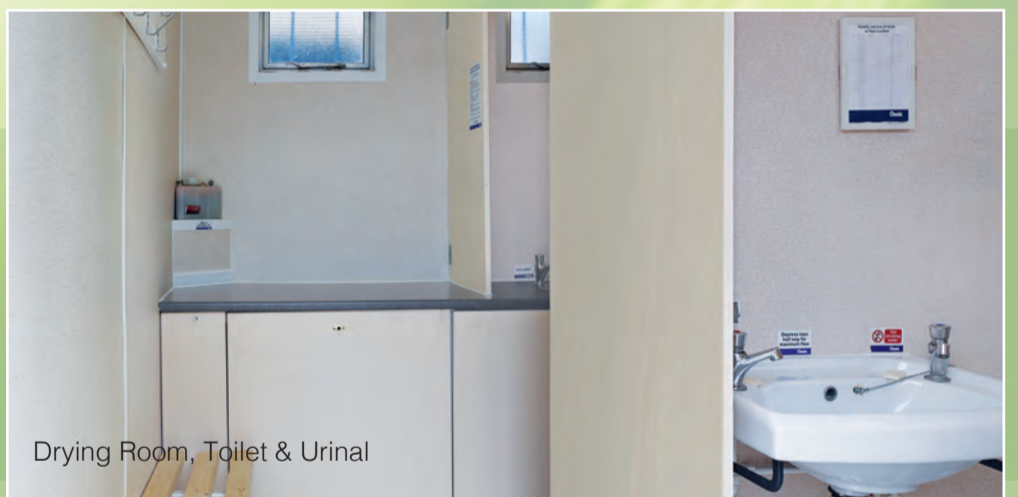
- Economical hybrid power system
- Improved energy efficiency
- Fully insulated with double glazed windows
- PIR sensor-controlled LED lighting
- Avoid implications of red diesel tax relief changes by using LPG



Office



Canteen



Drying Room, Toilet & Urinal

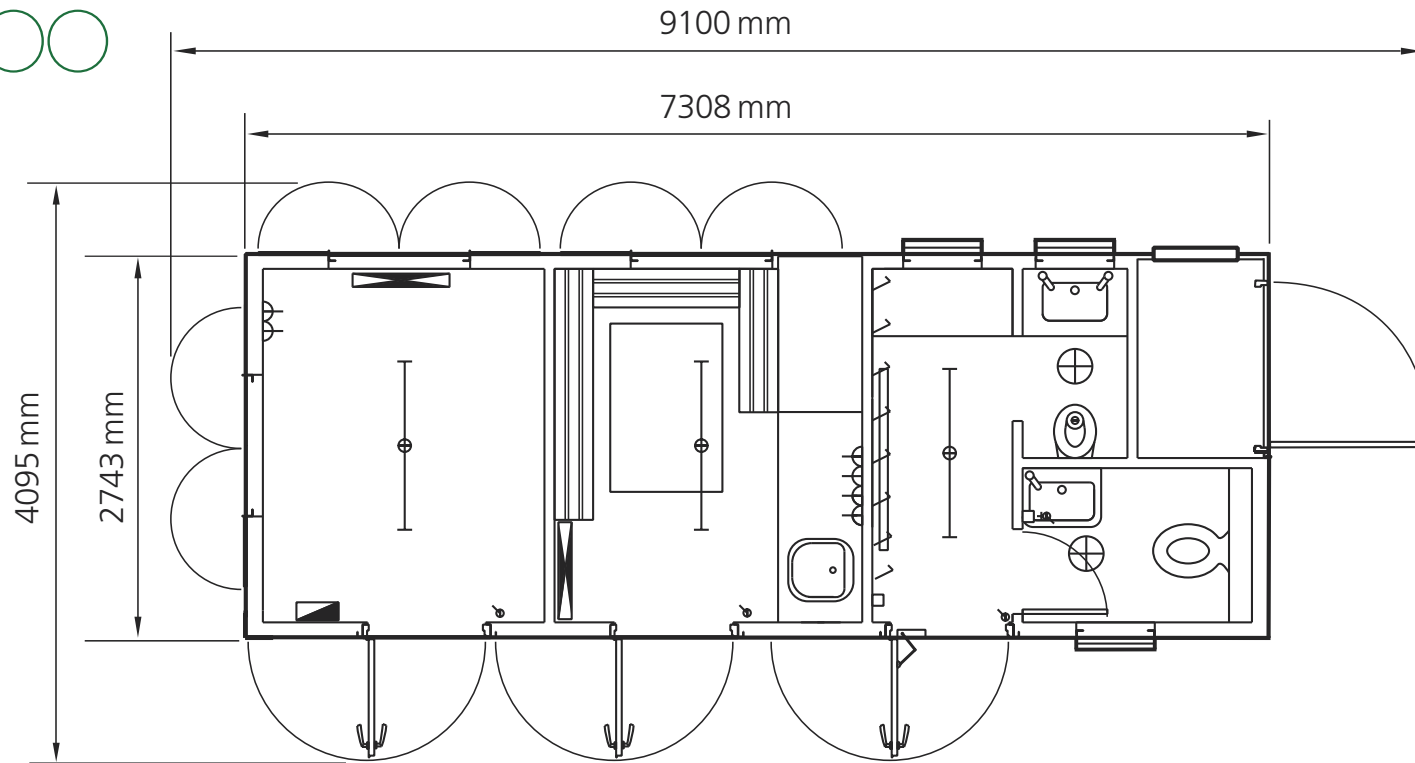
Reduced Carbon Footprint for LPG vs diesel

- LPG has lower carbon emissions compared with diesel, therefore the Carbon Footprint is lower
- No risk of diesel spillage and contamination of water table
- No particulates in exhaust emissions
- No risk of fines for diesel spillage
- Non-carcinogenic



Specification

| | |
|--------------------------------------|--|
| Unit size..... | 7.308m x 2.743m (24ft x 9ft) |
| Operational area | 9.100m x 4.095m (30ft x 13.5ft) |
| Height (Levelling legs closed) | 2.5m |
| Weight | 5 Tonnes |
| Water capacity | 400ltr main tank + 2 x 20ltr drinking water containers |
| LPG | Max storage 4 x 47kg cylinders |
| Rate of energy conversion | 135grams of LPG per kW/H (average) |
| Generator | 5.8kVA LPG fuelled (0.8 power factor) |
| Water heater | LPG fuelled Oasis heater |
| Additional equipment | Furniture, fire extinguisher, kettle, microwave oven and notice board |
| Toilet..... | Flushing toilet |



Useful points to remember

Terms of hire

- Construction Plant-Hire Association Model Conditions – No other Terms will be accepted without prior written agreement from Advanté.
- The EcoLogic 800 is non-mechanical plant.

Daily checks

- The client is responsible for the required daily checks on the generator, including engine oil as per manufacturer's recommendations. This is normal practice with any mechanical plant.
- Any damage arising from failure to carry out the checks will be charged.

Damage

- Damage and shortages will be charged to the client.

Levelling

- The unit will be levelled upon delivery, and the client is responsible for maintaining the unit in a level position at all times. Failure to do so could result in engine damage.

Permissible load on the unit

- Available power after appliances and services is 500 Watts for client use. Drawing or trying to draw more than this will damage the generator.

LPG

- The client is responsible for changing the bottles as required; space is provided for the storage of up to two additional bottles if needed.

Canteen electrical equipment

- Both the microwave and kettle within the unit will be delivered to site PAT tested.

Water refills

- These are the client's responsibility, but can be arranged by Advanté if required. (Price on application.)

Waste

- Only normal toilet waste must be put in the toilet. Any contamination of the waste could result in additional disposal charges for the client.

Instruction Manual

- Full instructions on how to get the best from your unit and its operation can be found in the unit.