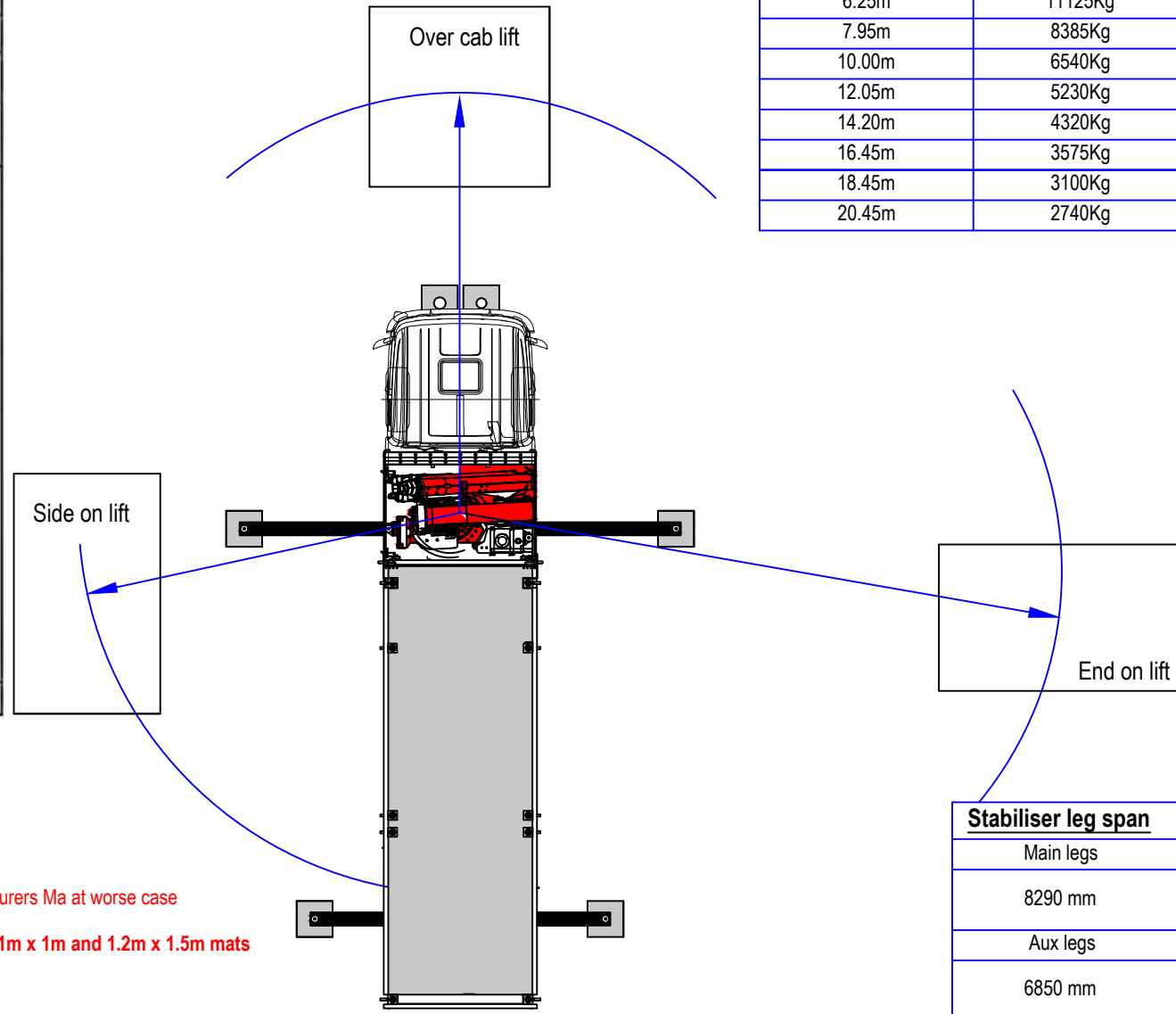


Over cab duties

Radius (M)	SWL (Kg)
6.25m	11125Kg
7.95m	8385Kg
10.00m	6540Kg
12.05m	5230Kg
14.20m	4320Kg
16.45m	3575Kg
18.45m	3100Kg
20.45m	2740Kg



*Stabiliser loadings based on manufacturers Ma at worse case

Additional charges could apply for 1m x 1m and 1.2m x 1.5m mats

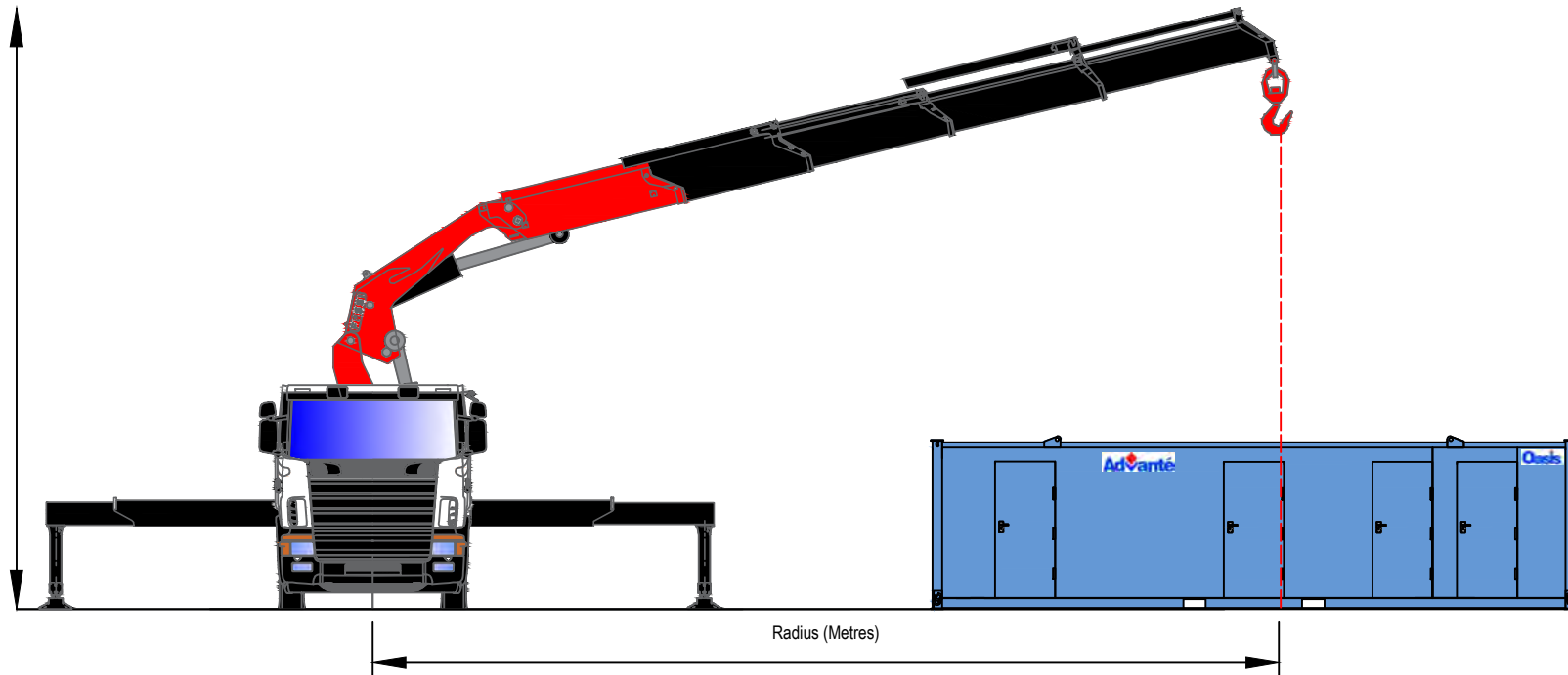
Stabiliser loading

Mat Size	GBP
D800mm (0.51m ²)	558 kN/m ²
	56.86 t/m ²
1m x 1m (1m ²)	215 kN/m ²
	21.92 t/m ²
1.2m x 1.5m (1.8m ²)	122 kN/m ²
	12.44 t/m ²

Fassi F820RA.2.28 - Duty chart, over cab & stabiliser loadings

Nick Sesevic - Appointed person
CPCS A61 expires March 2030 (40355952)
ALLMI expires 11th June 2029 (227010)

Review date - 1st Jan 2027



*Drawing is not to scale

Minimum & maximum lift heights (Metres)

Bottom Lifting - 7.5m

Top Lifting - 8.5m

Double stacking - 9.5m

Lifting accessories

1 x set of G100 - 10mm 4-leg chain slings - 7000mm EWL, with shortening clutches & safety hook - 8.4te WLL @ 0° - 45° (90° included angle) = 86Kg

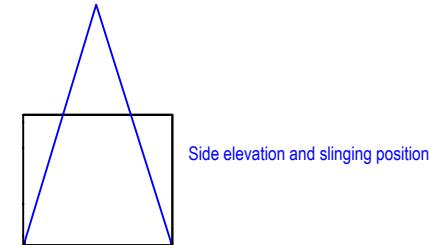
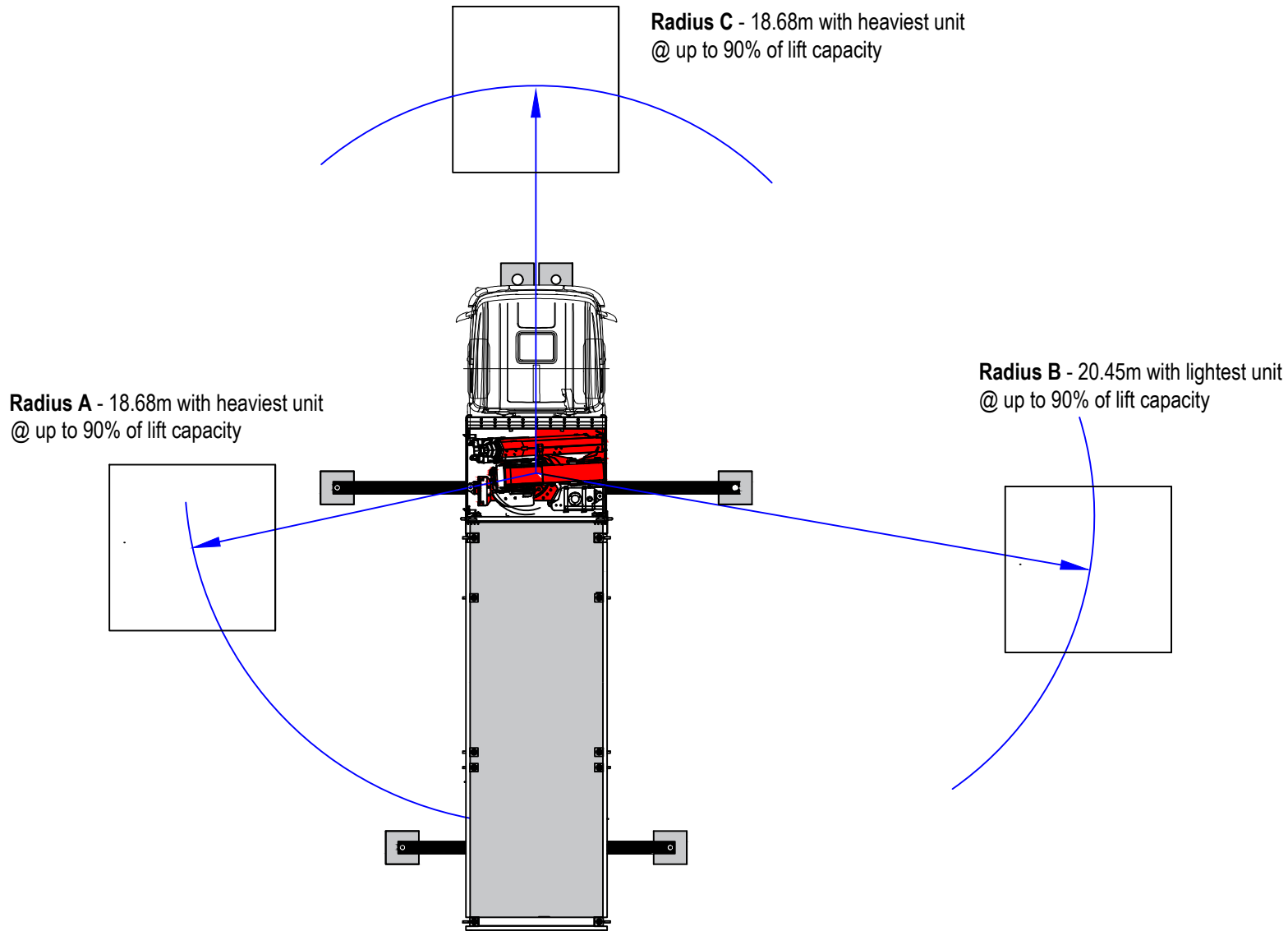
4 x 10mm single leg chain sling, - 2000mm EWL, with shortening clutches & safety hook - 3.15te WLL = 8.1Kg each

4 x bottom lifting cams (Preston Shoes) 8.5te WLL or above = 5.4Kg each

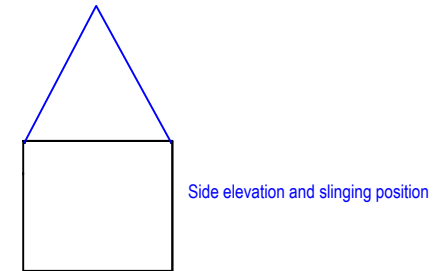
4 x dee or bow shackle fitted to Preston Shoes 3.0te WLL or above - 2.0Kg each

4 x M30 collar eye bolts 4.0te WLL - 2.0Kg each

4 x bow shackle 4.75te WLL - 1.06Kg each



Bottom Lift - 8.4te WLL 4 leg brother chains @ 90°
Chain length each leg 5000mm



Top Lift - 8.4te WLL 4 leg brother chains @ 90°
Chain length each leg 3000mm

8 to 10ft units will include A12, AV, Thurston, Fire rated, Evolution, Advante, CTX, Fireflex, Moduflex, MM & storage containers.

Weight of units will range from as per below:
Heaviest 2700Kg (see **Radius A**).

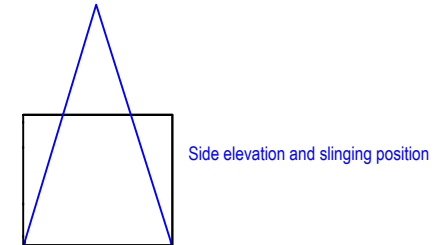
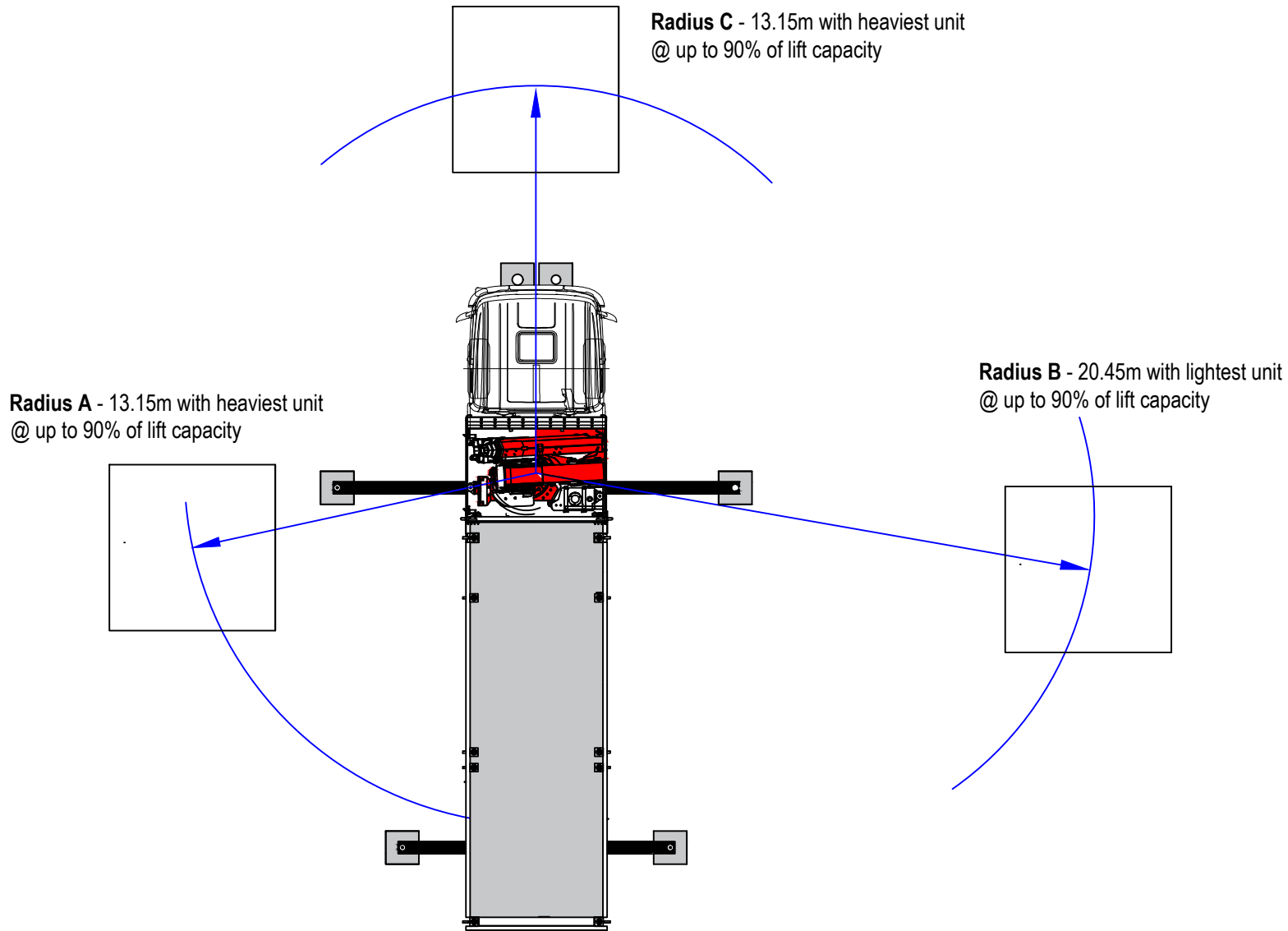
Lightest at 650Kg (see **Radius B**).

Lifting over cab lifting
Heaviest 2700Kg (see **Radius C**).

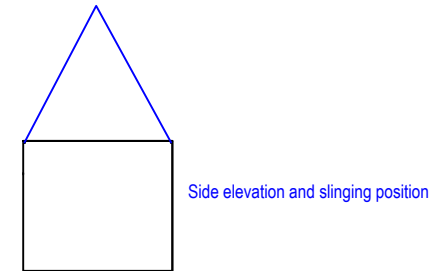
For specific unit weights and radius contact the local service centre and project manager.

*Drawing is not to scale

Metres/Second = 7.81 MPH = 17.47



Bottom Lift - 8.4te WLL 4 leg brother chains @ 90°
Chain length each leg 6100mm



Top Lift - 8.4te WLL 4 leg brother chains @ 90°
Chain length each leg 3500mm

12 to 13ft units will include A12, AV, Thurston, Fire rated, Evolution, Advante, CTX, Fireflex, Moduflex, MM & storage containers.

Weight of units will range from as per below:
Heaviest 4200Kg (see **Radius A**).

Lightest at 1500Kg (see **Radius B**).

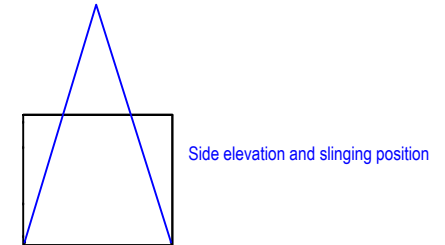
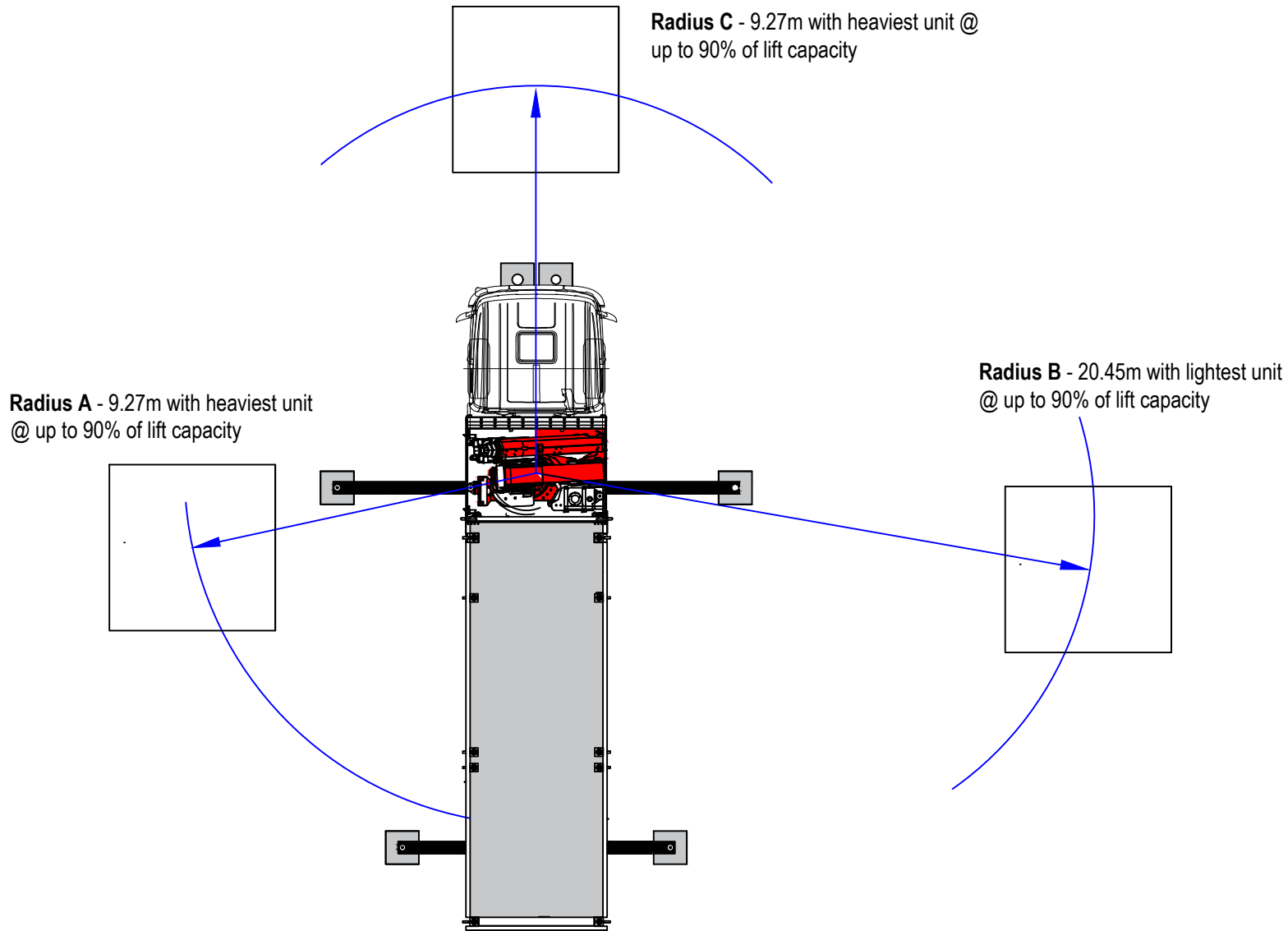
Lifting over cab lifting
Heaviest 4200Kg (see **Radius C**).

For specific unit weights and radius contact the local service centre and project manager.

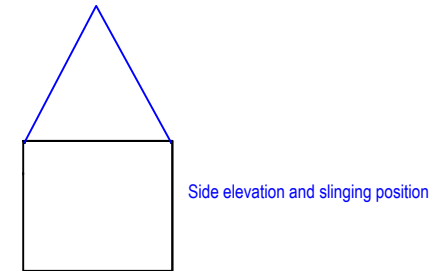
*Drawing is not to scale

Metres/Second = 9.24 MPH = 20.66

Fassi F820RA.2.28 - 12 to 13ft - All types



Bottom Lift - 8.4te WLL 4 leg brother chains @ 90°
Chain length each leg 6500mm



Top Lift - 8.4te WLL 4 leg brother chains @ 90°
Chain length each leg 3900mm

16ft units will include A12, AV, Thurston, Fire rated, Evolution, Advante, CTX, Fireflex, Moduflex, MM & storage containers.

Weight of units will range from as per below:
Heaviest 6350Kg (see **Radius A**).

Lightest at 1800Kg (see **Radius B**).

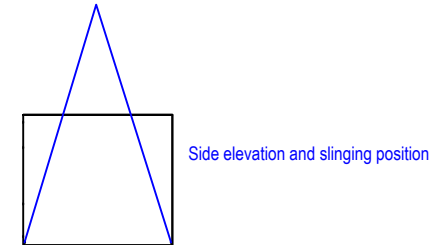
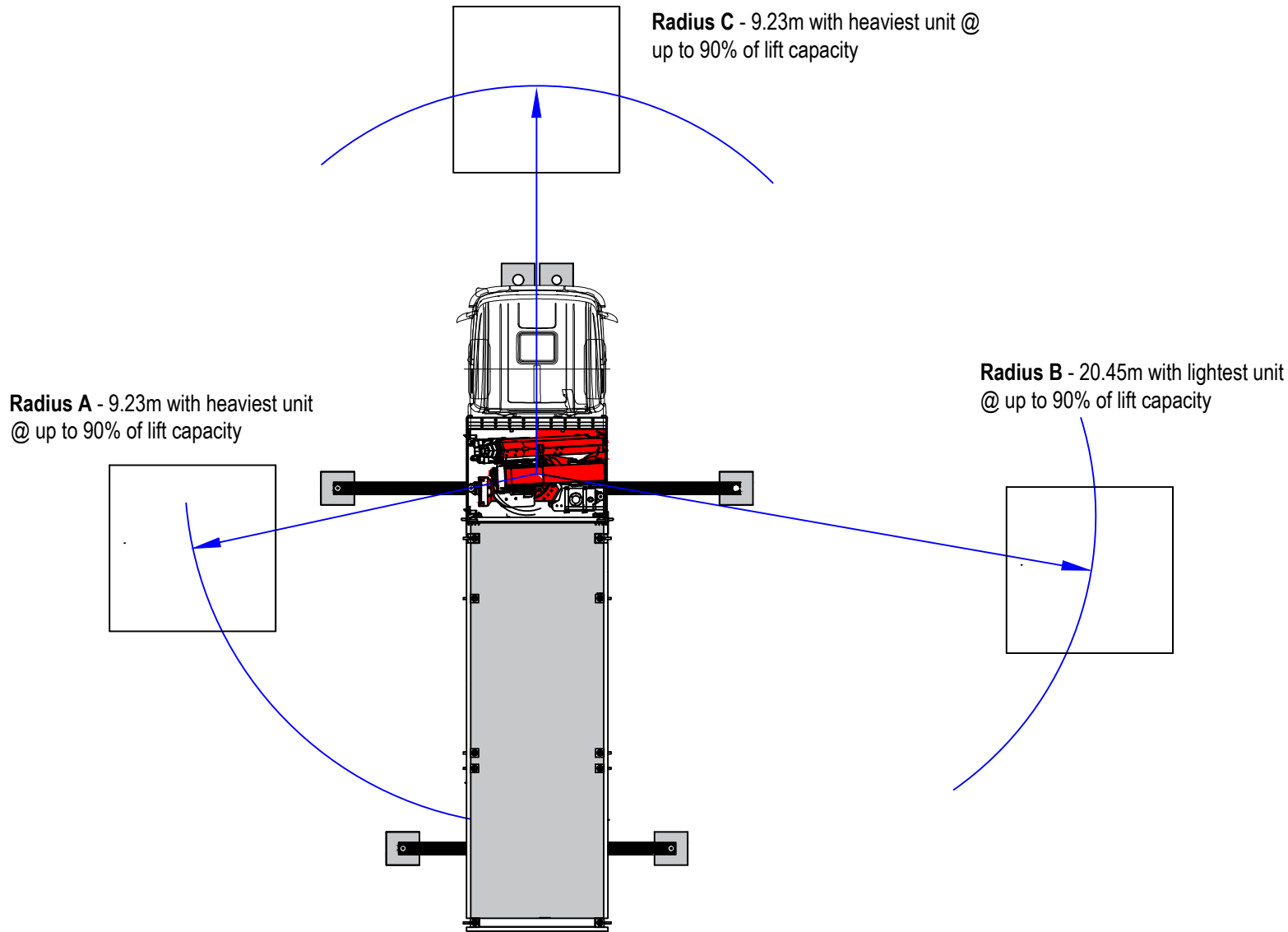
Lifting over cab lifting
Heaviest 6350Kg (see **Radius C**).

For specific unit weights and radius contact the local service centre and project manager.

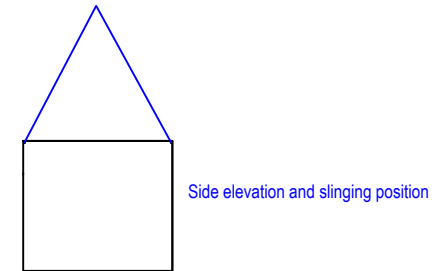
*Drawing is not to scale

Metres/Second = 9.55 MPH = 21.36

Fassi F820RA.2.28 - 16ft - All types



Bottom Lift - 8.4te WLL 4 leg brother chains @ 90°
Chain length each leg 7000mm



Top Lift - 8.4te WLL 4 leg brother chains @ 90°
Chain length each leg 4800mm

20 to 21ft units will include A12, AV, Thurston, Fire rated, Evolution, Advante, CTX, Fireflex, Moduflex, MM, storage containers & trailer.

Weight of units will range from as per below:
Heaviest 6780Kg (see **Radius A**).

Lightest at 2000Kg (see **Radius B**).

Lifting over cab lifting
Heaviest 6780Kg (see **Radius C**).

For specific unit weights and radius contact the local service centre and project manager.

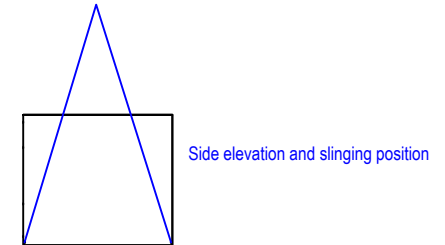
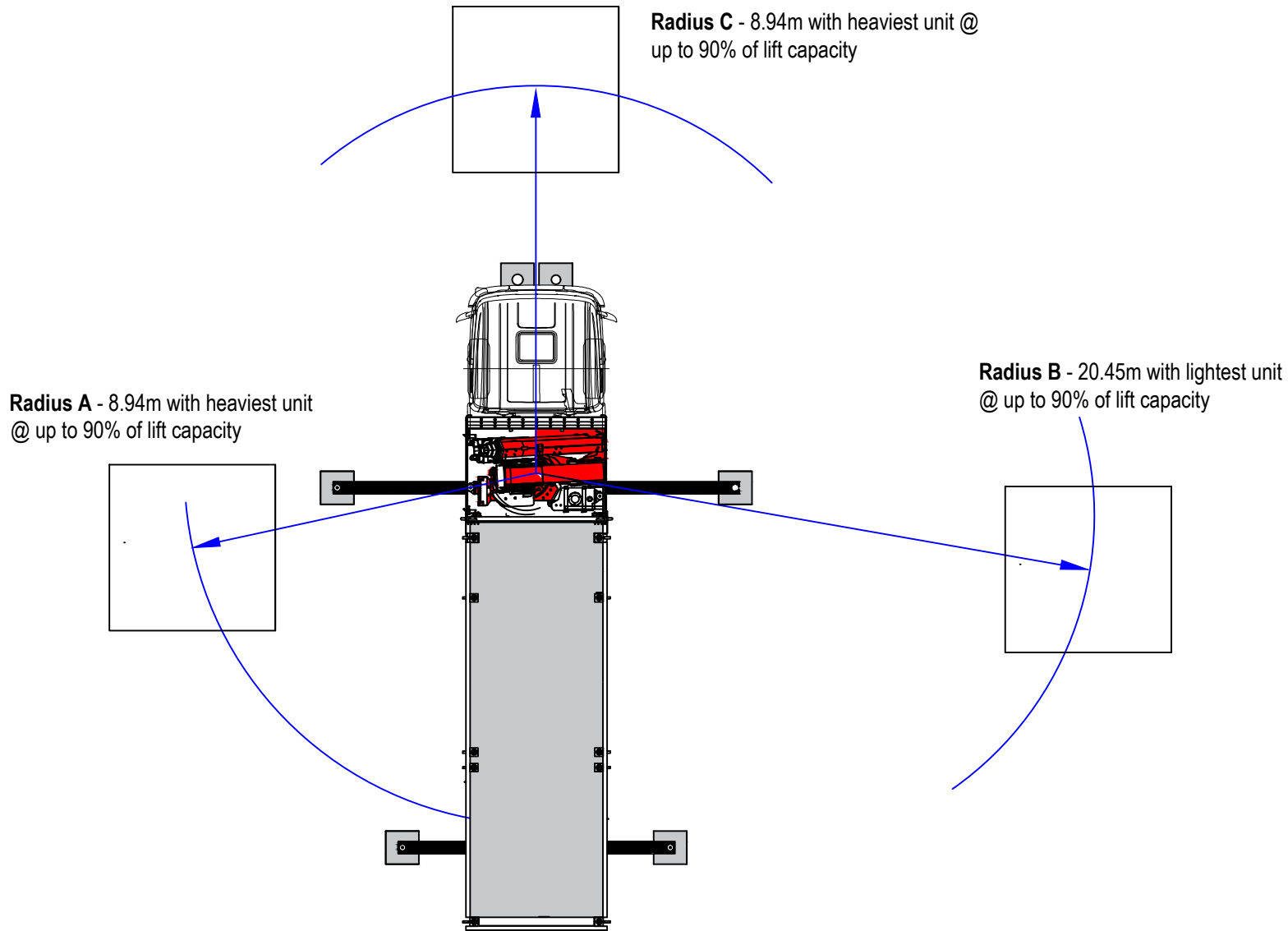
*Drawing is not to scale

Metres/Second = 9.02 MPH = 20.17

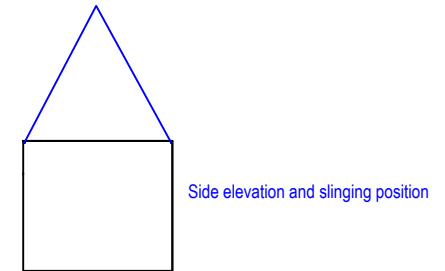
Fassi F820RA.2.28 - 20 to 21ft - All types including trailer

Nick Sesevic - Appointed person
CPCS A61 expires March 2030 (40355952)
ALLMI expires 11th June 2029 (227010)

Review date - 1st Jan 2027



Bottom Lift - 8.4te WLL 4 leg brother chains @ 90°
Chain length each leg 7000mm



Top Lift - 8.4te WLL 4 leg brother chains @ 90°
Chain length each leg 5600mm

24ft units will include A12, AV, Thurston, Fire rated, Evolution, Advante, CTX, Fireflex, Moduflex, MM & storage containers.

Weight of units will range from as per below:
Heaviest 7000Kg (see **Radius A**).

Lightest at 2000Kg (see **Radius B**).

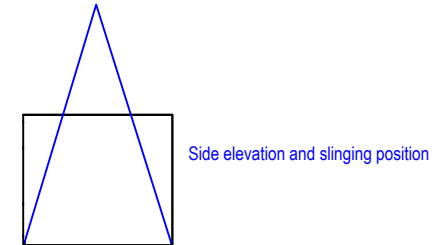
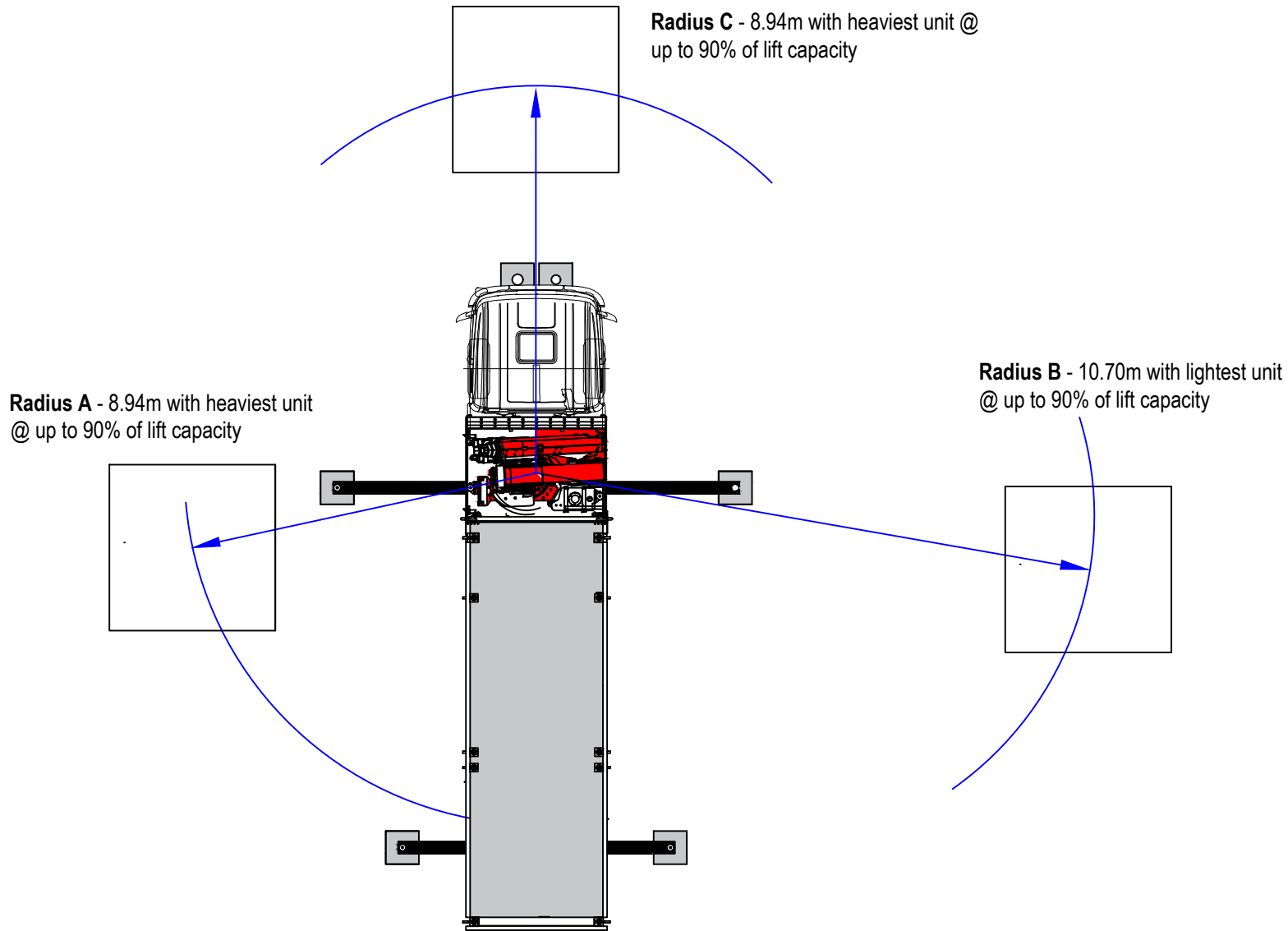
Lifting over cab lifting
Heaviest 7000Kg (see **Radius C**).

For specific unit weights and radius contact the local service centre and project manager.

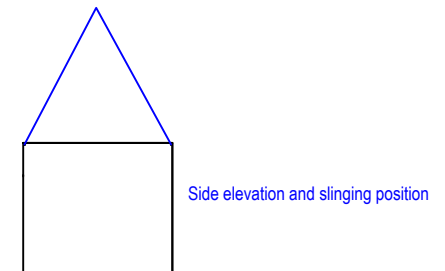
*Drawing is not to scale

Metres/Second = 8.21 MPH = 18.36

Fassi F820RA.2.28 - 24ft - All types



Bottom Lift - 8.4te WLL 4 leg brother chains @ 90°
Chain length each leg 7000mm



Top Lift - 8.4te WLL 4 leg brother chains @ 90°
Chain length each leg 6000mm

25 to 26ft units will include A12, AV, Thurston, Fire rated, Evolution, Advante, CTX, Fireflex, Moduflex, MM & storage containers.

Weight of units will range from as per below:
Heaviest 7000Kg (see **Radius A**).

Lightest at 5500Kg (see **Radius B**).

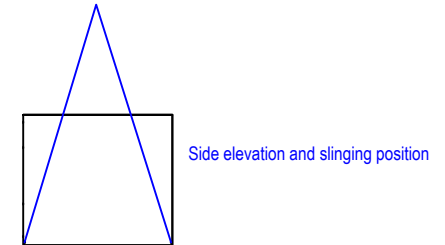
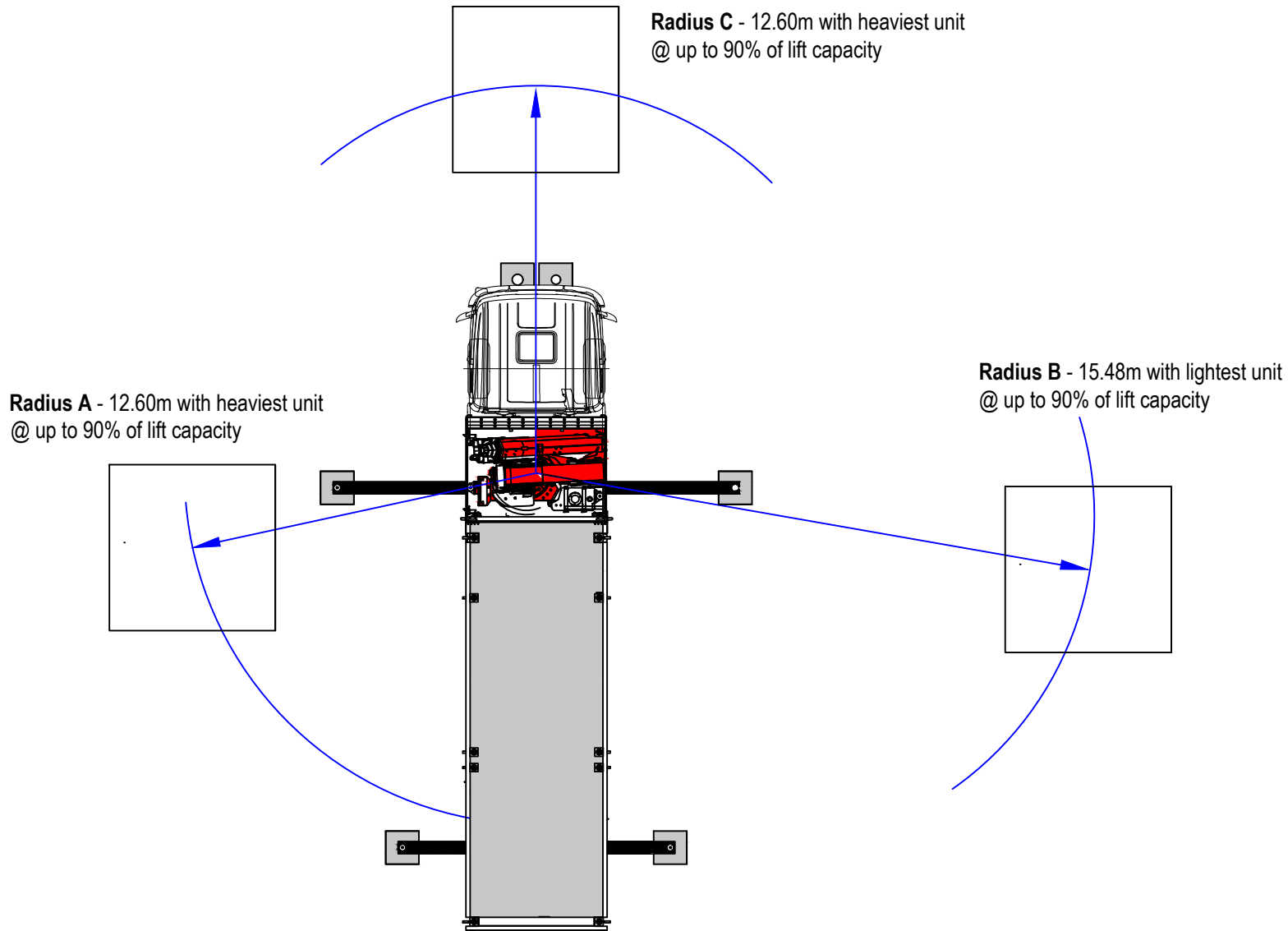
Lifting over cab lifting
Heaviest 7000Kg (see **Radius C**).

For specific unit weights and radius contact the local service centre and project manager.

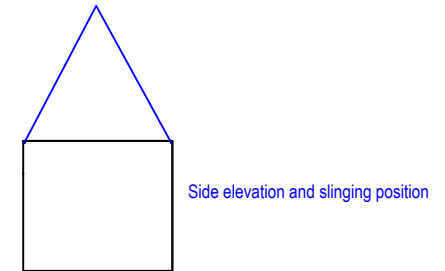
*Drawing is not to scale

Metres/Second = 8.06 MPH = 18.02

Fassi F820RA.2.28 - 25 to 26ft - All types



Bottom Lift - 8.4te WLL 4 leg brother chains @ 90°
Chain length each leg 8000mm



Top Lift - 8.4te WLL 4 leg brother chains @ 90°
Chain length each leg 7000mm

30ft units will include A12, AV, Thurston, Fire rated, Evolution, Advante, CTX, Fireflex, Moduflex, MM & storage containers.

Weight of units will range from as per below:
Heaviest 4500Kg (see **Radius A**).

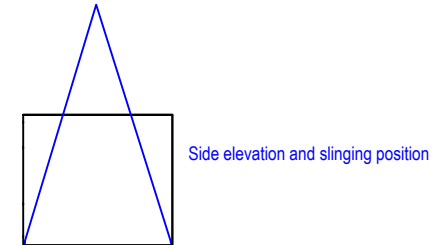
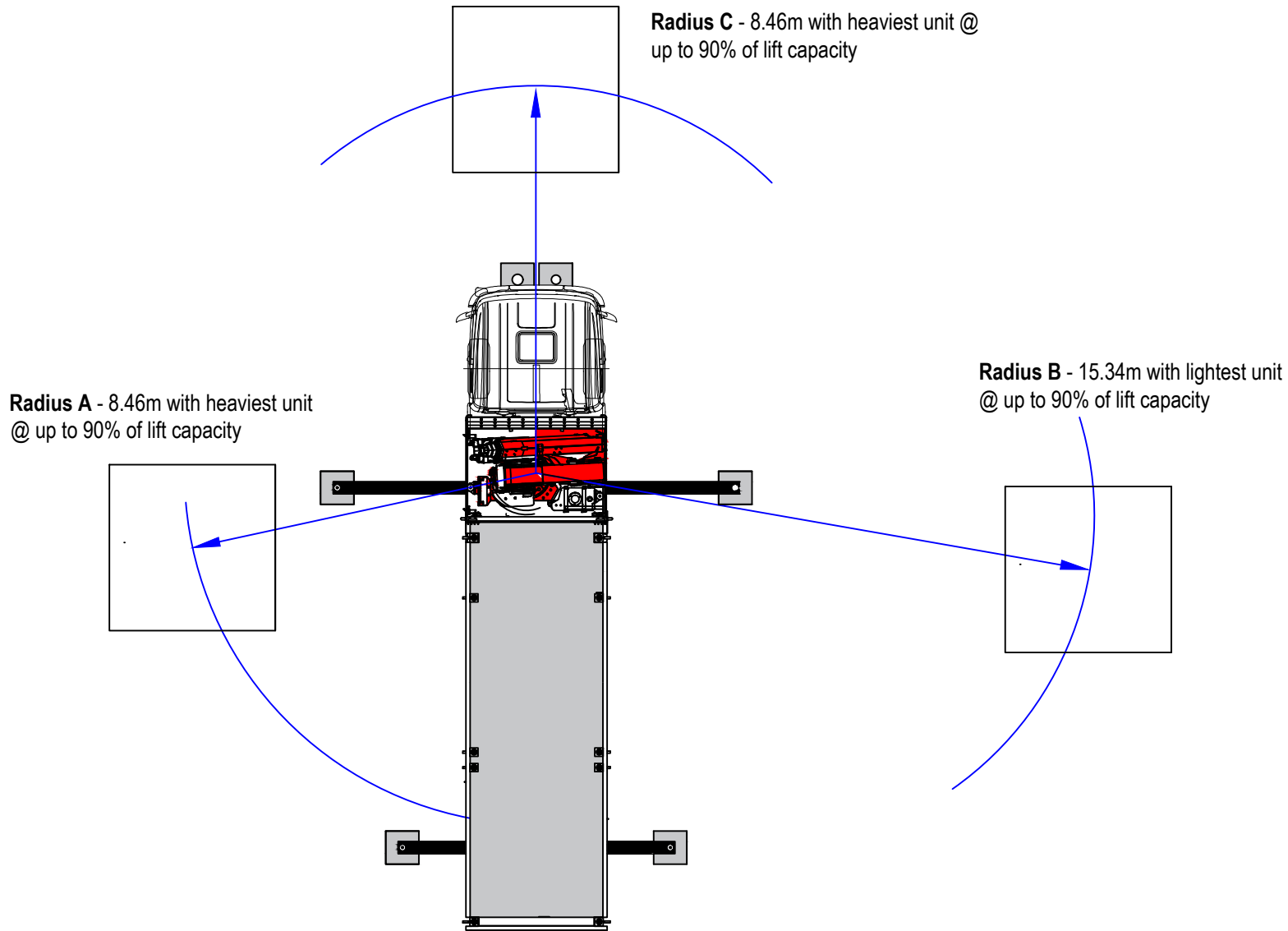
Lightest at 3420Kg (see **Radius B**).

Lifting over cab lifting
Heaviest 4500Kg (see **Radius C**).

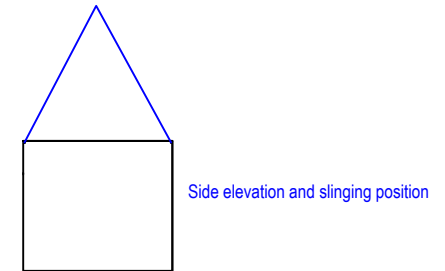
For specific unit weights and radius contact the local service centre and project manager.

*Drawing is not to scale

Metres/Second = 6.02 MPH = 13.46



Bottom Lift - 8.4te WLL 4 leg brother chains @ 90°
Chain length each leg 9000mm



Top Lift - 8.4te WLL 4 leg brother chains @ 90°
Chain length each leg 8000mm

32ft units will include A12, AV, Thurston, Fire rated, Evolution, Advante, CTX, Fireflex, Moduflex, MM & storage containers.

Weight of units will range from as per below:
Heaviest 7400Kg (see **Radius A**).

Lightest at 3600Kg (see **Radius B**).

Lifting over cab lifting
Heaviest 7400Kg (see **Radius C**).

For specific unit weights and radius contact the local service centre and project manager.

*Drawing is not to scale

Metres/Second = 7.51 MPH = 16.80

All accessories checked against duty chart, all lifts will not exceed 90% of the crane's utilisation.

Toilet steps weight - 125Kg each

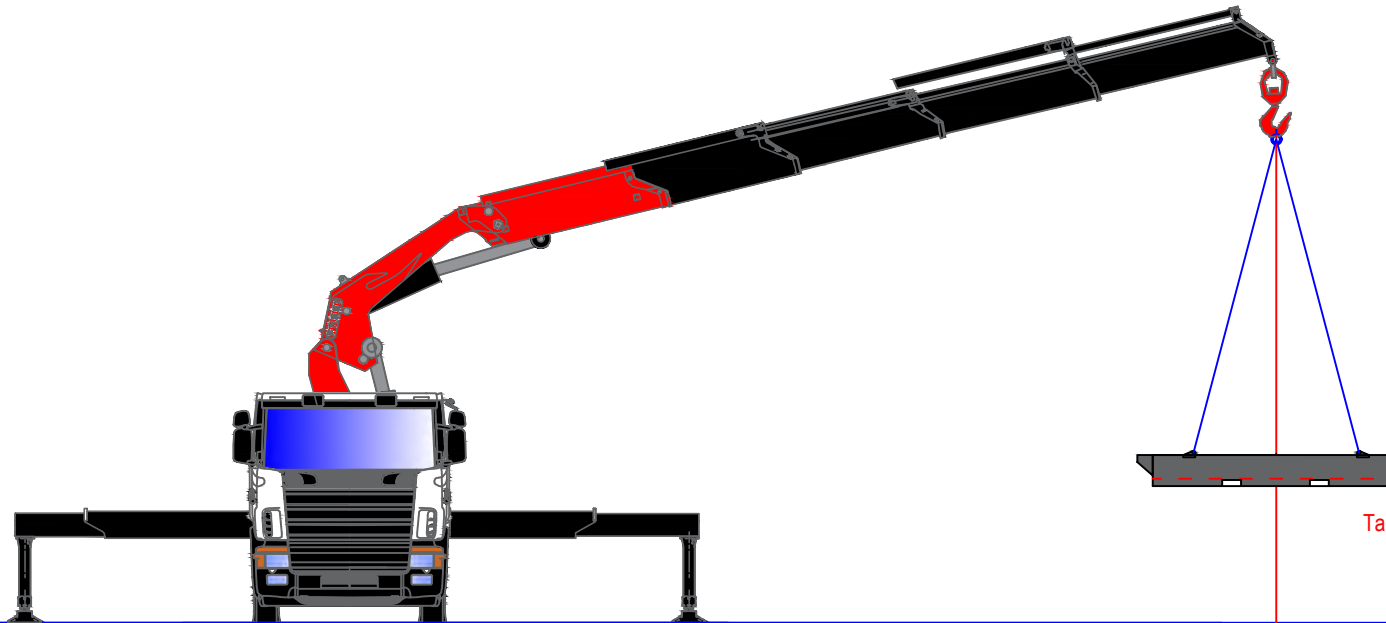
Plastic tank weight - 150Kg

Staircase & landing weight - 900Kg

Steel tank weight - 1000Kg

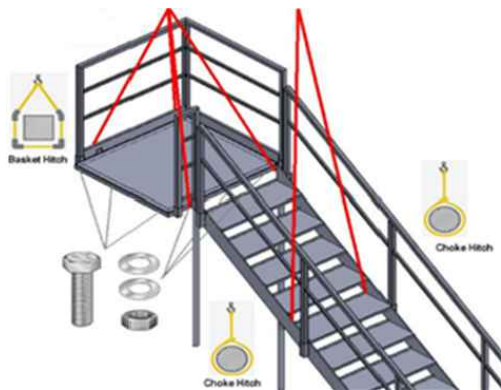
Staircase pod - 1500kg

Note* Tanks can only be collected once they have been emptied

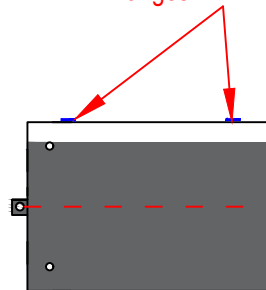


Tank side view

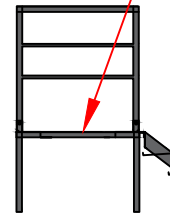
*Drawing is not to scale



Lifting points can vary across tank ranges

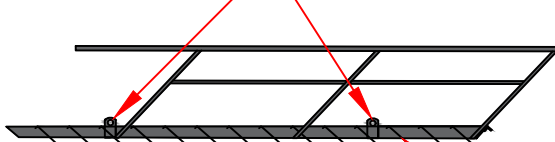


Slung using basket hitch

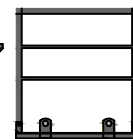


Toilet steps

Lifting points if non slung using choke hitch

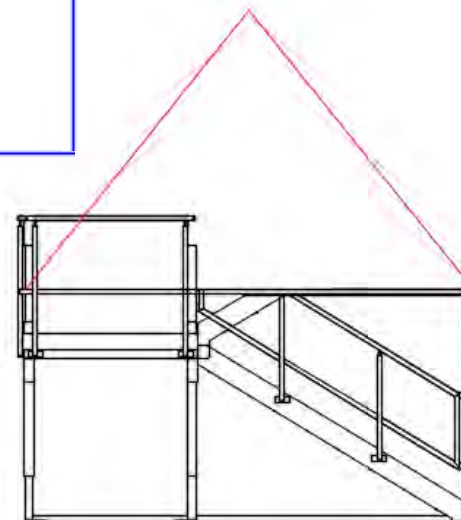


Stairs & landing platform



Lifting points if non slung using basket hitch

Tank plan view



Lifting ancillary items